

PRODUCT INFORMATION MODEL OD1720 MIU

© 2016 KURT BEIER & KATI QUINGER



*For general informations please refer to the information about outdoor furniture!
Bullfrog recommends the suitable waterproofed protective covers for outdoor furnitures.*



Braided back



Practical throw cushion for individual comfort



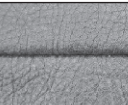
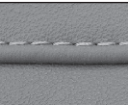

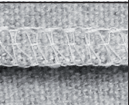
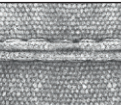
Filigree feet

OD MIU: SUR COTE D'AZUR - PURISTIC ELEGANCE, DAINY IN DETAIL, GENEROUS IN PERCEPTION. AS A SOFA OR OTTOMAN IN 2 DIFFERENT DEPTHS, THE BACKS STYLE-DEFINING THE JAPONESE BRAIDING ON THE FINE STEEL FRAME.



Feet: 20 cm, metal, powder-coated in black matt
Floor distance: approx. 20 cm

Processing options of main seam / decorative seam

	Plain seam	Lap seam	KR* (zipper piping) extra charge	Overcast seam extra charge	Piping
					
Outdoor fabric	x		x		x
Outdoor leather	x		x		

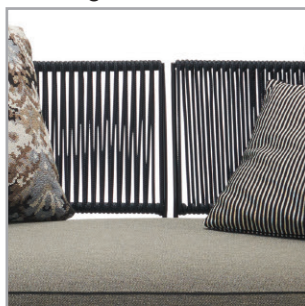
*Zipper piping: optionally in the colours black, red, nature or light grey.

Outdoor innercover

Additional protection against moisture penetration is provided by an inner cover made of waterproof fabric. The inner cover can be selected for the respective model at an extra charge.

Please specify when ordering.

Braiding:

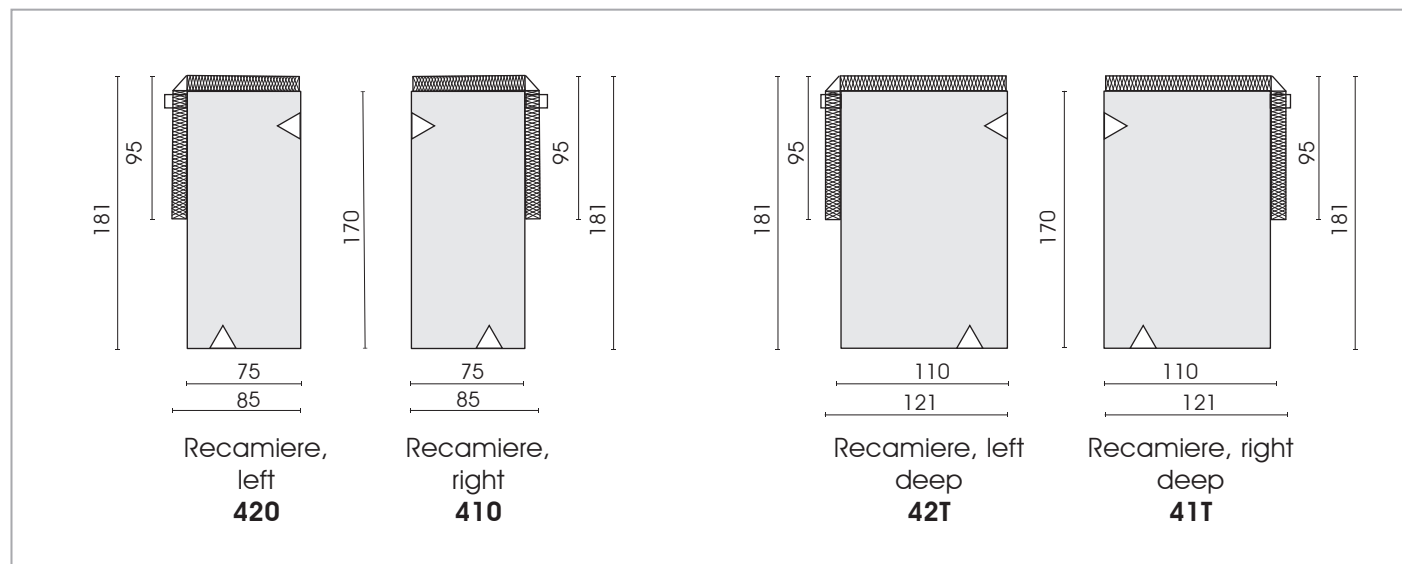
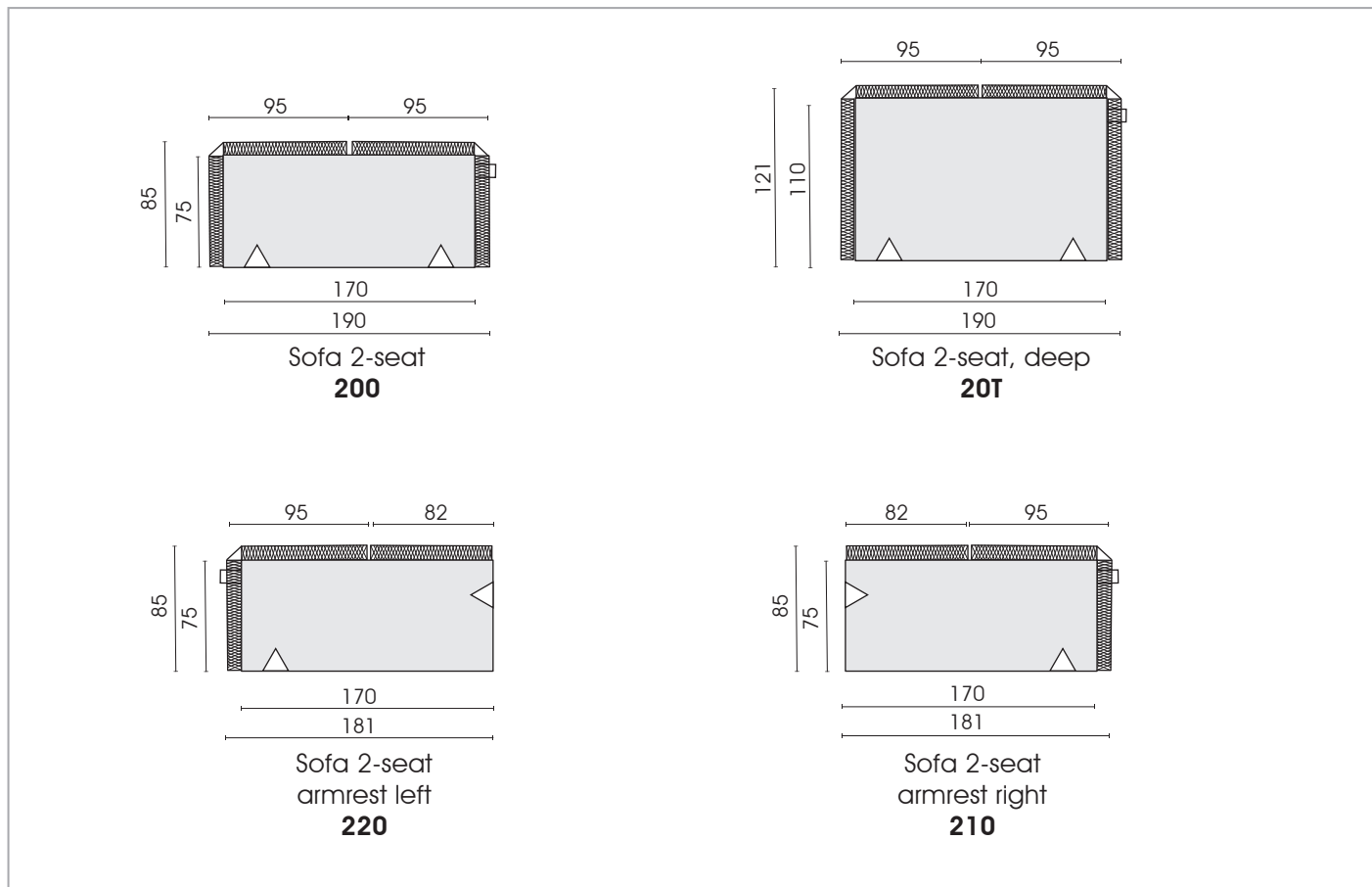
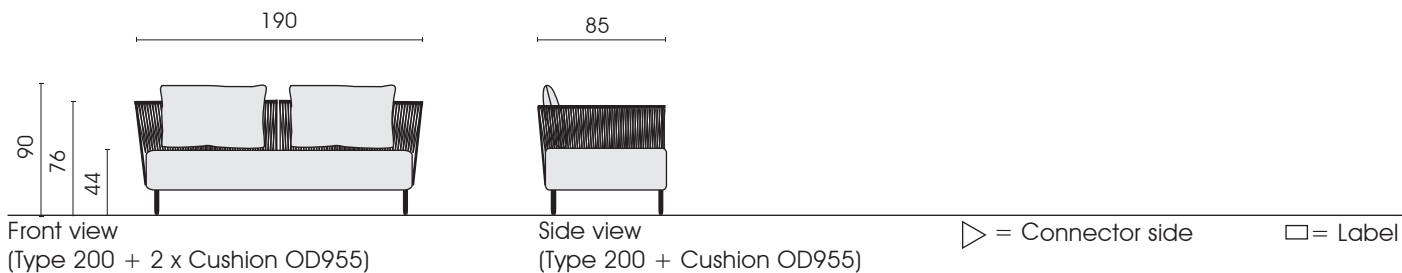


Colour: black

Feet:

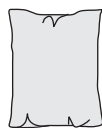


20 cm, metal, powder-coated in black matt



Each piece of furniture is handmade and unique. Deviations to the listed measurements may be caused by:
 1. different upholstery materials (fabric, leather), 2. processing of ticking mats, 3. the pressure to combine individual parts, etc.
 The seat comfort of a sofa type with larger seat depth usually differs from one with lower depth.

Cushion



Funki S
Functional cushion
Outdoor
(tapered cushion)
(plain seam)
62 x 78
OD582



Outdoor cushion
(tapered cushion)
(plain seam)
80 x 52
OD919



Outdoor cushion
(tapered cushion)
(Sides: piping)
80 x 52
OD920



Outdoor cushion
(tapered cushion)
(plain seam)
60 x 40
OD967



Outdoor cushion
(tapered cushion)
KR (zipper piping)
60 x 40
OD967KR
Zipper piping:
optionally in the colours
black, red, nature
or light grey



Outdoor cushion
(throw cushion)
(plain seam)
70 x 60
OD955



Outdoor Cushion
(throw cushion)
KR (zipper piping)
70 x 60
OD955KR
Zipper piping:
optionally in the colours
black, red, nature
or light grey

Suitable with: table OD1118 - Scoop

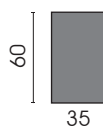
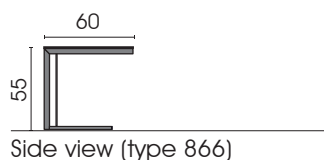


Table
to push
metal
866

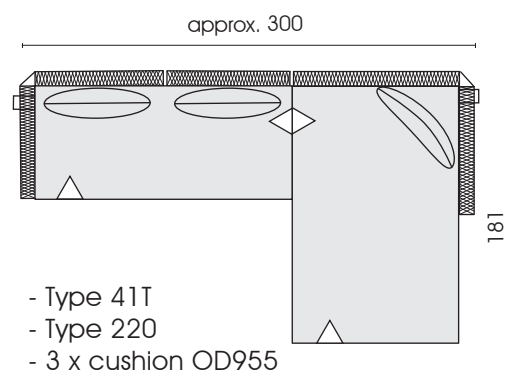
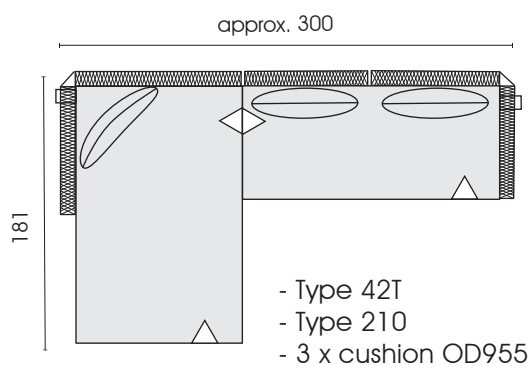
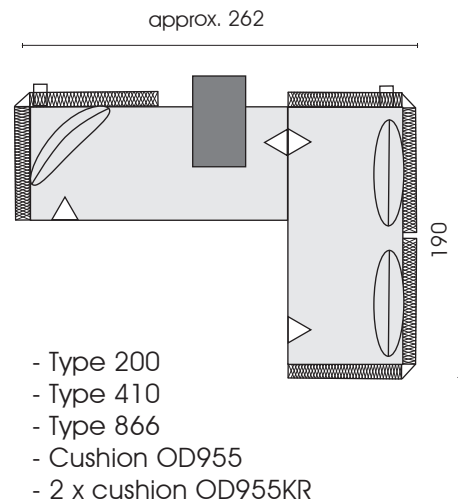
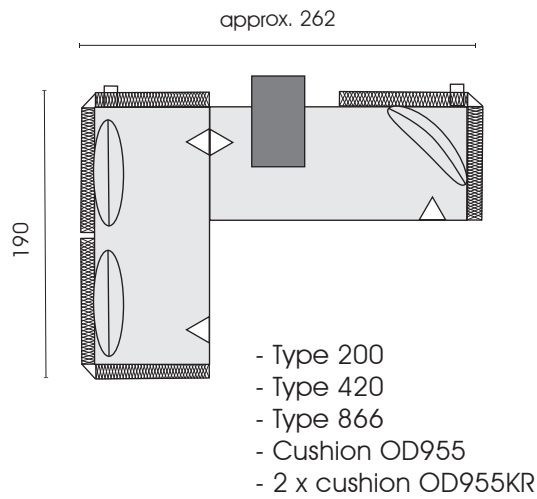
Protective covers (waterproof):

- Protective cover for type 200: SH200
- Protective cover for type 210: SH210
- Protective cover for type 220: SH220
- Protective cover for type 20T: SH20T
- Protective cover for type 410: SH410
- Protective cover for type 420: SH420
- Protective cover for type 41T: SH41T
- Protective cover for type 42T: SH42T



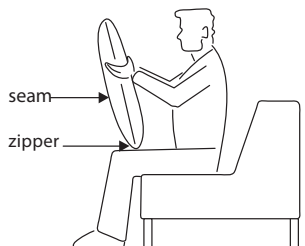
Each piece of furniture is handmade and unique. Deviations to the listed measurements may be caused by:
1. different upholstery materials (fabric, leather), 2. processing of ticking mats, 3. the pressure to combine individual parts, etc.
The seat comfort of a sofa type with larger seat depth usually differs from one with lower depth.

Combinations:

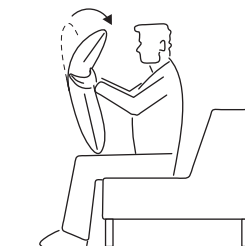


Each piece of furniture is handmade and unique. Deviations to the listed measurements may be caused by:
 1. different upholstery materials (fabric, leather), 2. processing of ticking mats, 3. the pressure to combine individual parts, etc.
 The seat comfort of a sofa type with larger seat depth usually differs from one with lower depth.

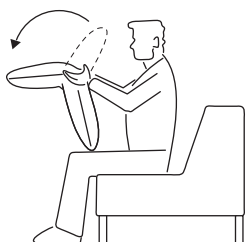
FUNKI - How it works !!!



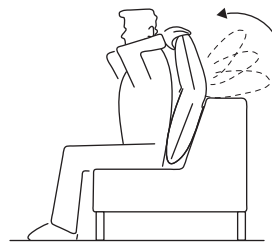
1. Take the cushion at its upper side and put the cushion on your knees with the zipper on the bottom. The seamless side faces you.



2. Move the upper part of the cushion towards yourself until the final position is reached.



3. Now you are able to move the upper part backwards until the upper part of the cushion will click into place in the zero position.



4. Now put the cushion in the preferred position (e.g. in the back, seamless side in front and zipper at the bottom). By pulling the upper part of the cushion towards yourself, you are now able to choose among 16 raster positions, however you like it.