

ASSEMBLY AND INSTRUCTION MANUAL

MODEL OD2308 BALOU

© 2023 KURT BEIER & KATI QUINGER



Functional backrest,
manually adjustable



Stool, usable as sofa element



Super soft sitting comfort

Use of back/armrest function:

Adjustment of back/armrest:

1. To adjust the desired position grip the back/armrest from the outside and pull it carefully into your direction.



2. To obtain zero position pull the back/armrest carefully beyond the top position into your direction (a) and fold down into zero position (b).



3. From the zero position, you can gradually adjust the back/armrest to the desired position.



Assembly/Transport protection:

ATTENTION! To ensure secure assembly, please observe the individual steps of instruction! The furniture **should** be mounted in pairs (2 persons)!

1. Position the packing unit at the place where supposed to be placed and open the packaging.

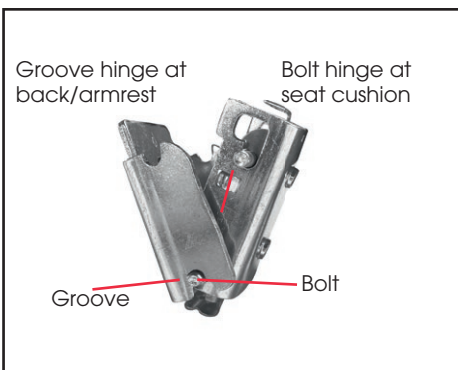


To avoid damaging the furniture/fabric, leave the leather strips on the hinges until assembly of back/armrest.

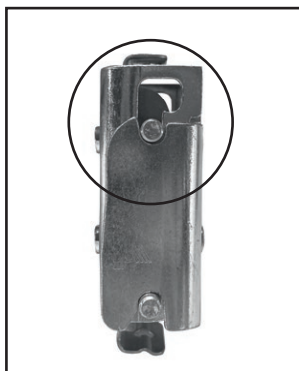
Assembly of back/armrest:



Remove the leather strips from the hinges.



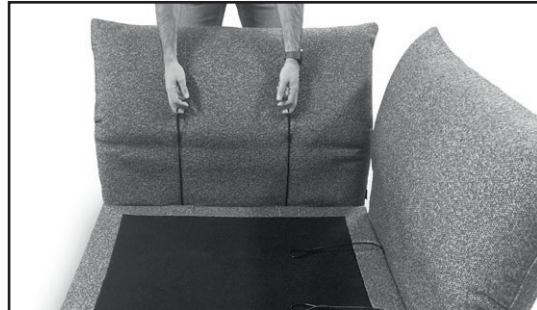
Place the backrest/armrest with the groove of the backrest hinges on the bolts of the seat hinges...



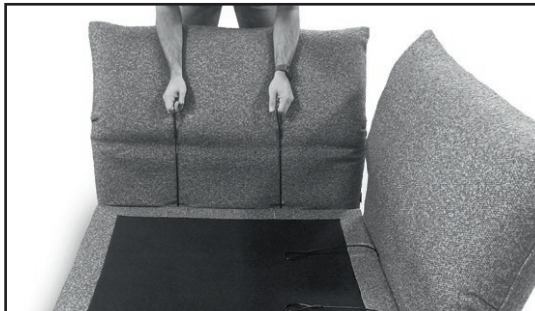
...and push the backrest/armrest inwards until the hinges click into place.

Insert the seat cushion.

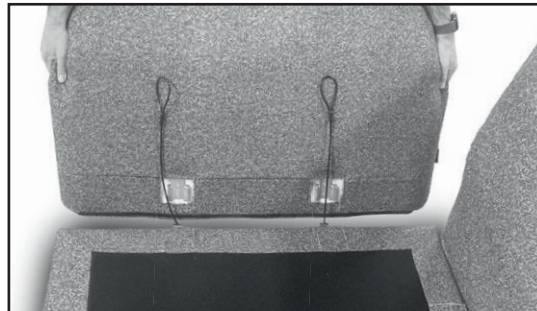
Disassembly, back/armrest:



1. Reach over the back/armrest from behind and take the 2 pull loops of the back/armrest section.



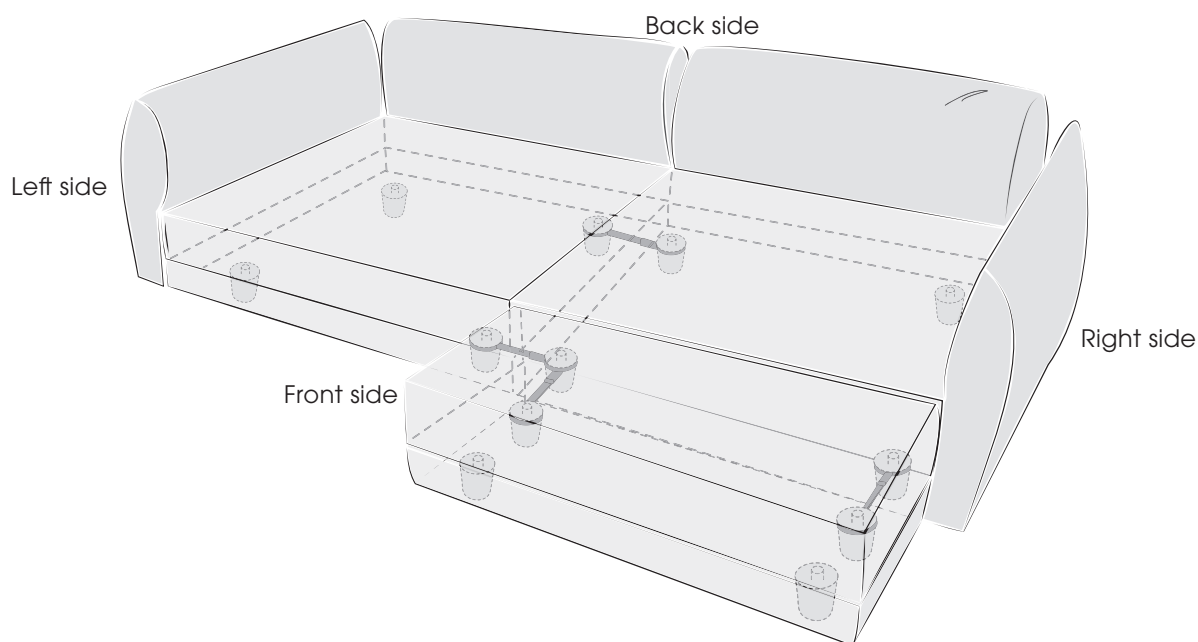
2. Pull the loops until the hinges disengage with an audible click.



3. Tilt the back slightly outwards and lift it out of the hinges.

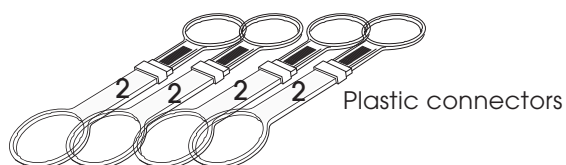
Connecting of elements:

Figure: 2 x elements 70T with stool 550

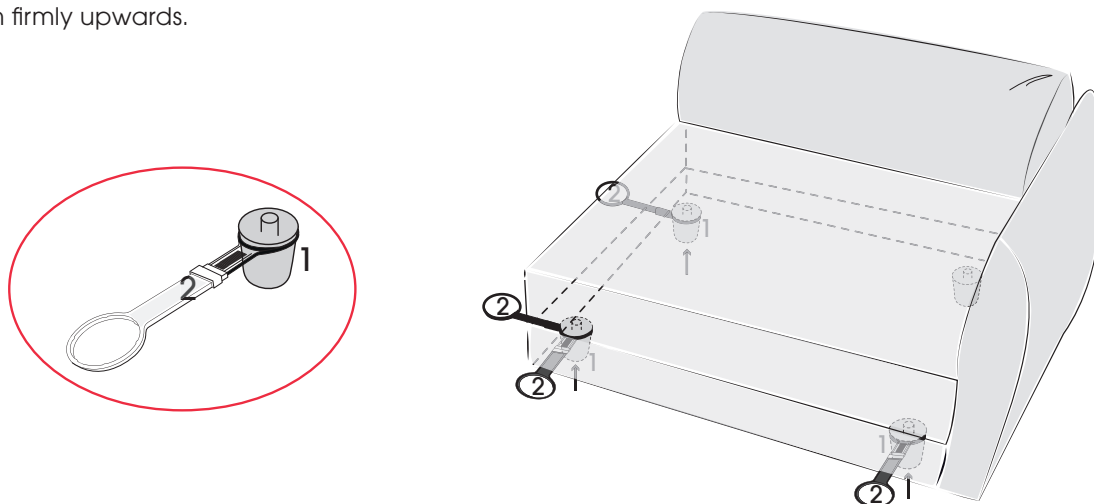


Example with 1 element + 1 stool:

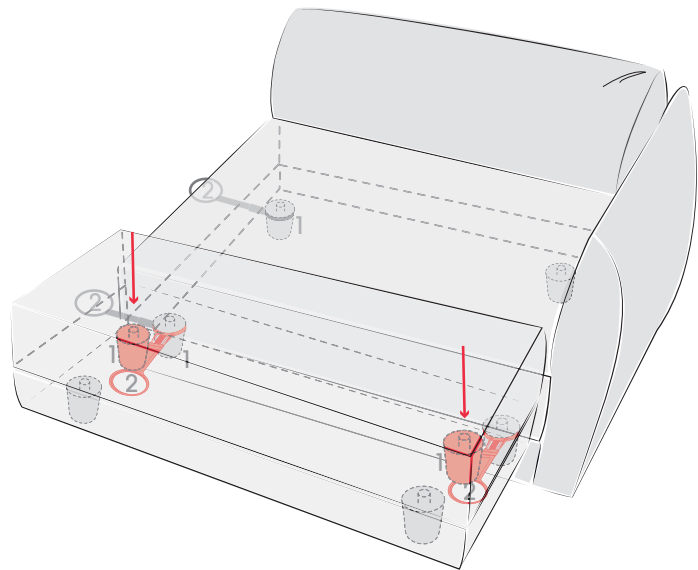
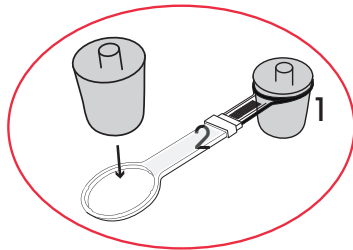
1. Place the enclosed components in front of you!



2. Lift up the element slightly, slide the plastic connectors (2) onto the plastic glides (1) from below and push them firmly upwards.



3. Place the stool in front of the plastic connectors and lift it from above into the circular opening of the plastic connectors.



4. Press them upwards.

Repeat the process for all other connections.

