



ASSEMBLY AND INSTRUCTION MANUAL

MODEL 1041 CABALLERO

© 2015 KURT BEIER & KATI QUINGER



A light covered plateau with high-quality metal feet, optionally available in different surfaces



Functional back with high-quality back cushions



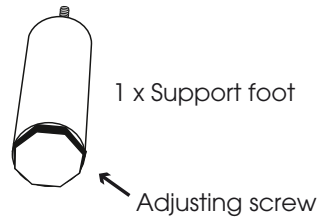
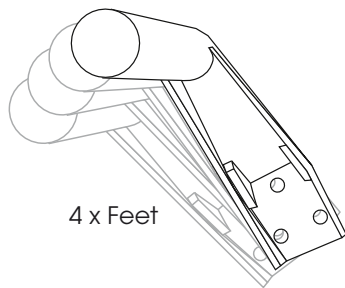
Inserted soft comfort seat cushions

www.bullfrog-design.com

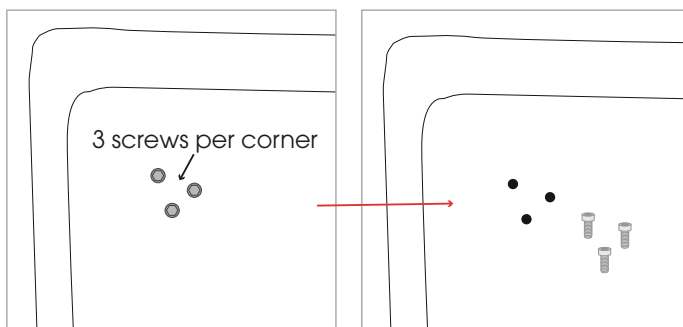
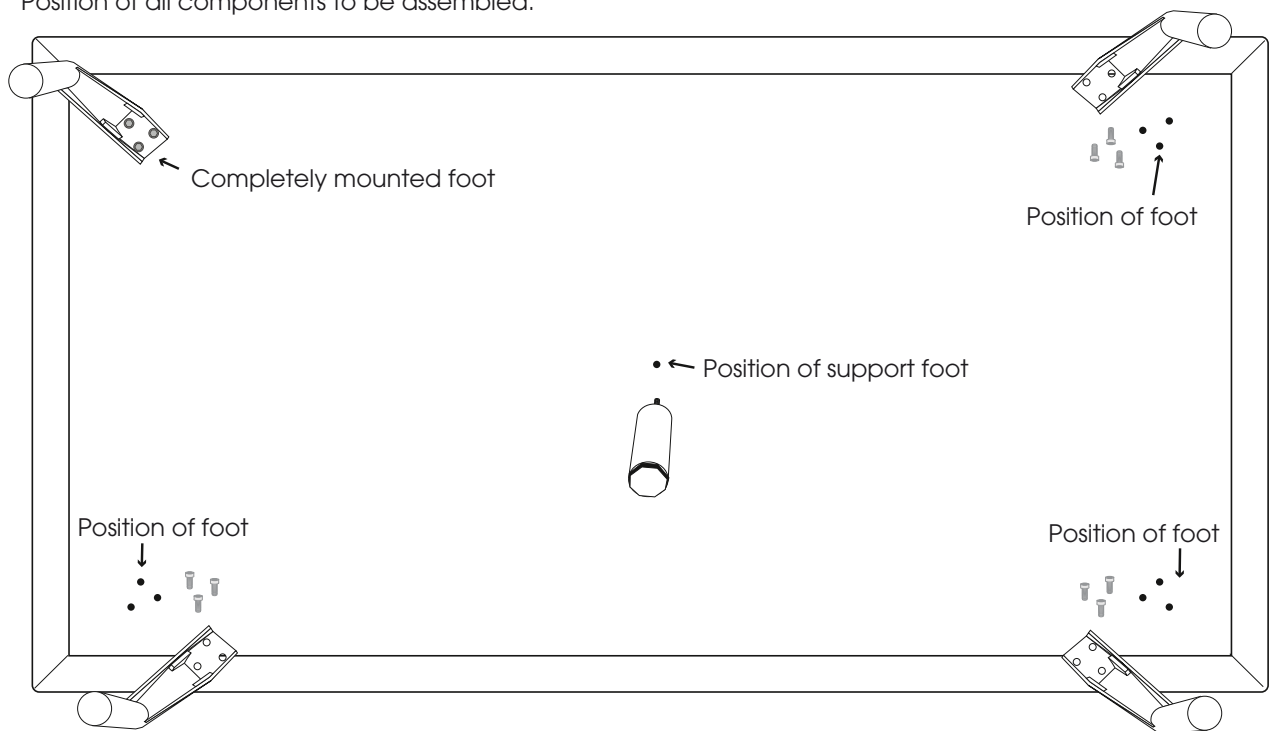
Assembly of feet:

ATTENTION! To ensure secure assembly, please observe the individual steps of instruction!
The furniture should always be mounted in pairs (2 persons)!

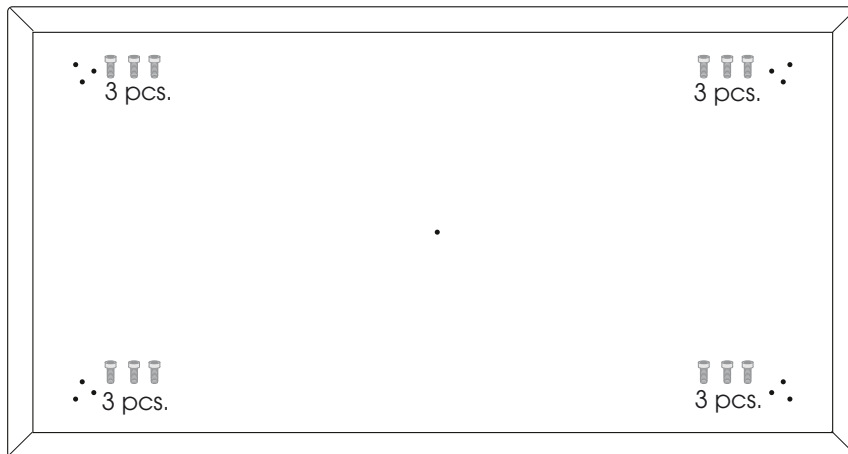
1. Position the elements at the place supposed to stay.
2. For assembly of feet, place the enclosed components in front of you and tilt back the sofa.



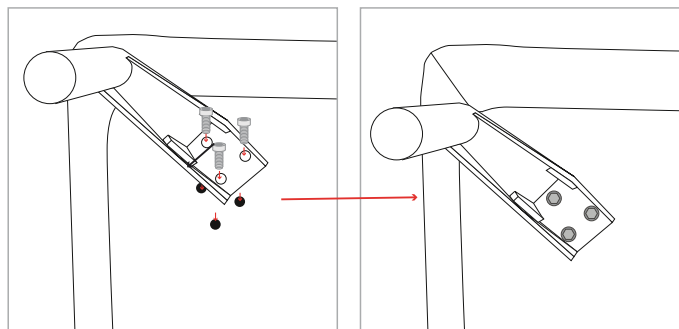
Position of all components to be assembled:



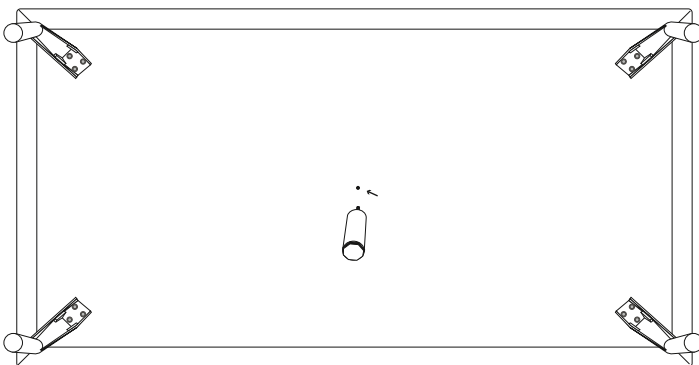
3. Unscrew the screws at the 4 corners (in total 12 pcs.) with the enclosed allen key.



4. Position the foot above the 3 bores and tighten the screws firmly again. Procedure with all 4 feet similarly!

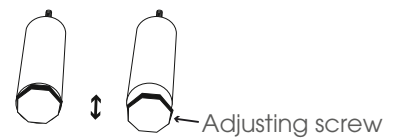


Assembly of support foot:

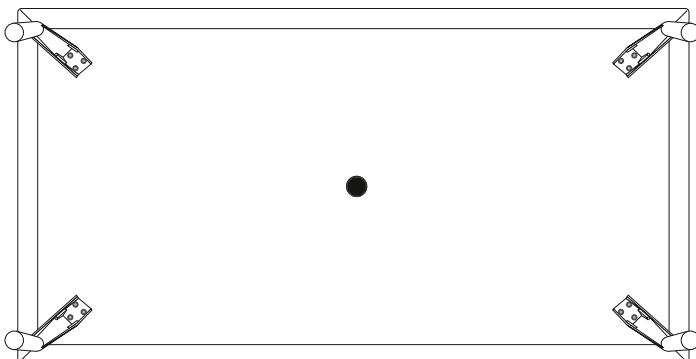


1. Screw the support foot into the provided hole at center of element.

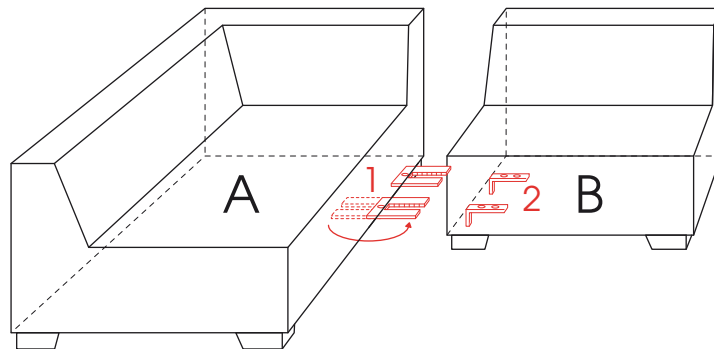
2. Adjust the plastic setscrew of support foot at floor level.



After mounting of feet, place the elements at location you have chosen.

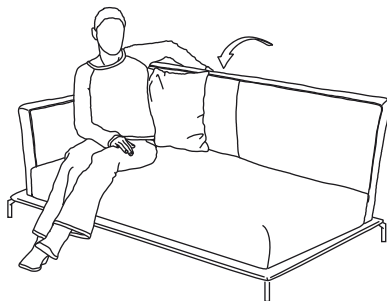


Mounting of connectors

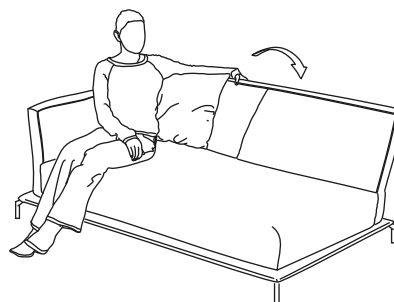


1. Turn connector ratchet 1 of element A to the outside.
2. Firmly push together part A and B, until metal guides 2 catch into guides 1. (Clicking noise must be audible!)
3. In case of dismounting lift part B with the metal guides 2 and pull away.

Use of back function



1. Adjustment of back slant:
To adjust the desired position grip the back from the outside and pull it carefully towards yourself.



2. To obtain zero position pull the back carefully beyond the top position towards yourself and fold down into zero position.

3. From zero position you can easily snap the back into desired position.

ATTENTION! DO NOT SIT ON THE BACK!