

ASSEMBLY AND INSTRUCTION MANUAL

MODEL 0520 PANDA

© 2020 KURT BEIER & KATI QUINGER



Comfortable headrest



Comfortable rocking function,
lockable via a laterally
mounted hand lever



360° rotation function



Matching stool



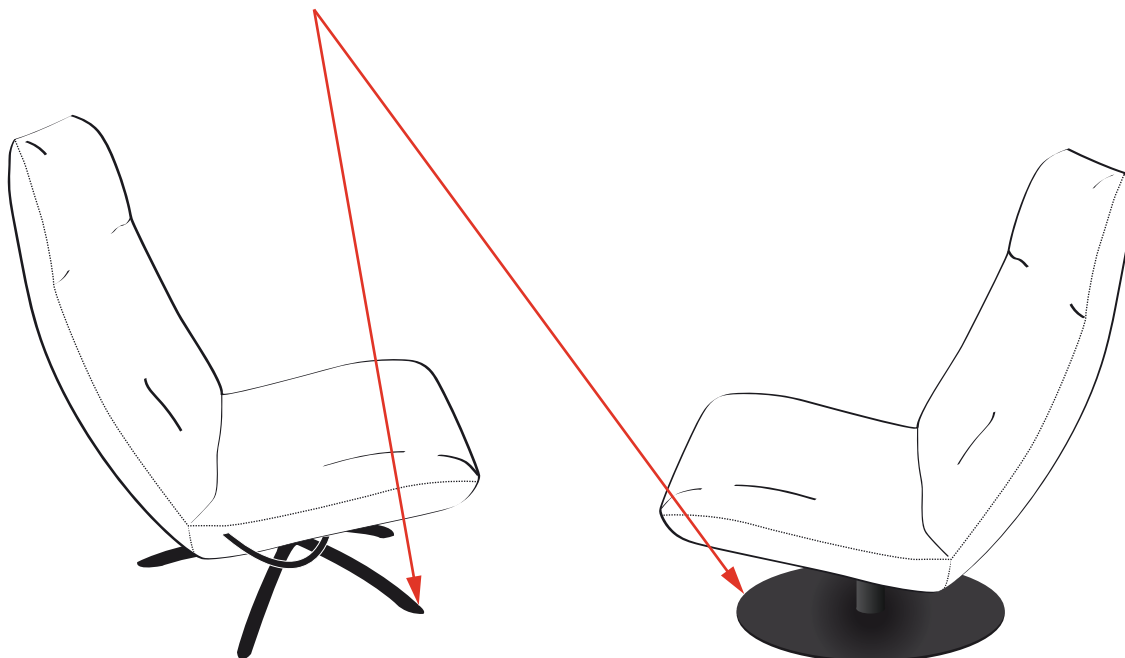
Optionally with base plate or...



...cross frame

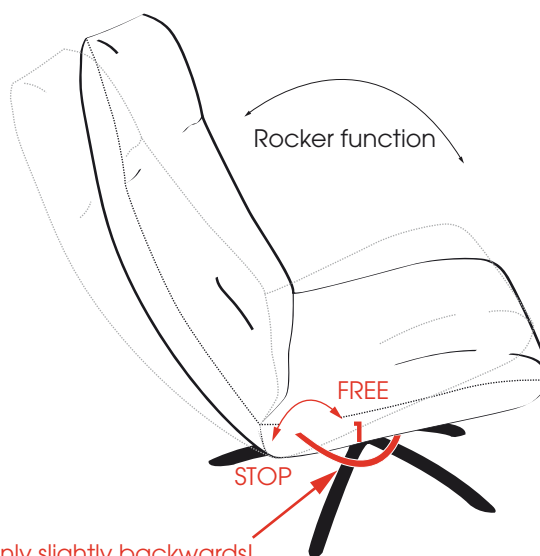
Attention! Safety note:

The footplate/cross frame is connected to the base via a turning spindle. When transporting the chair, it is mandatory to lift the chair by the base plate / cross frame.



Rocker function:

On the right side of the chair there is a lever (1) with which you can lock or release the rocker mechanism. Move the lever (1) forward to use the rocker function freely. To lock the function, or to lock it in a certain position, move the lever (1) backwards.

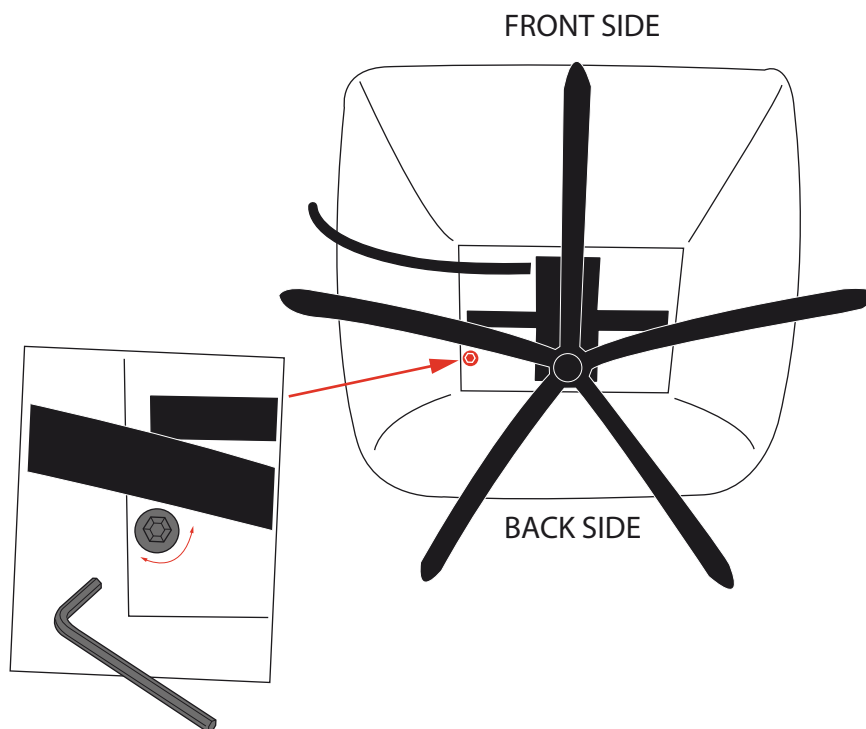


Attention! It is sufficient to press the lever (1) only slightly backwards!
Make sure that you do **not** overtighten the lever (1)!

Adjusting the ideal rocking function:

In order to be able to use the rocking function of the chair according to the body size and weight, it may be necessary to adjust the hardness setting of the mechanism. To do this, tilt the chair onto its back.

The adjustment screw is located below the lever connection. To adjust the rocker function **more firmly**, turn the screw clockwise using the Allen key, to adjust the function **more softly**, turn counterclockwise.



Adjusting the head flap:

To adjust the head flap, simply pull it forward or push it backward.



360° rotation function:

